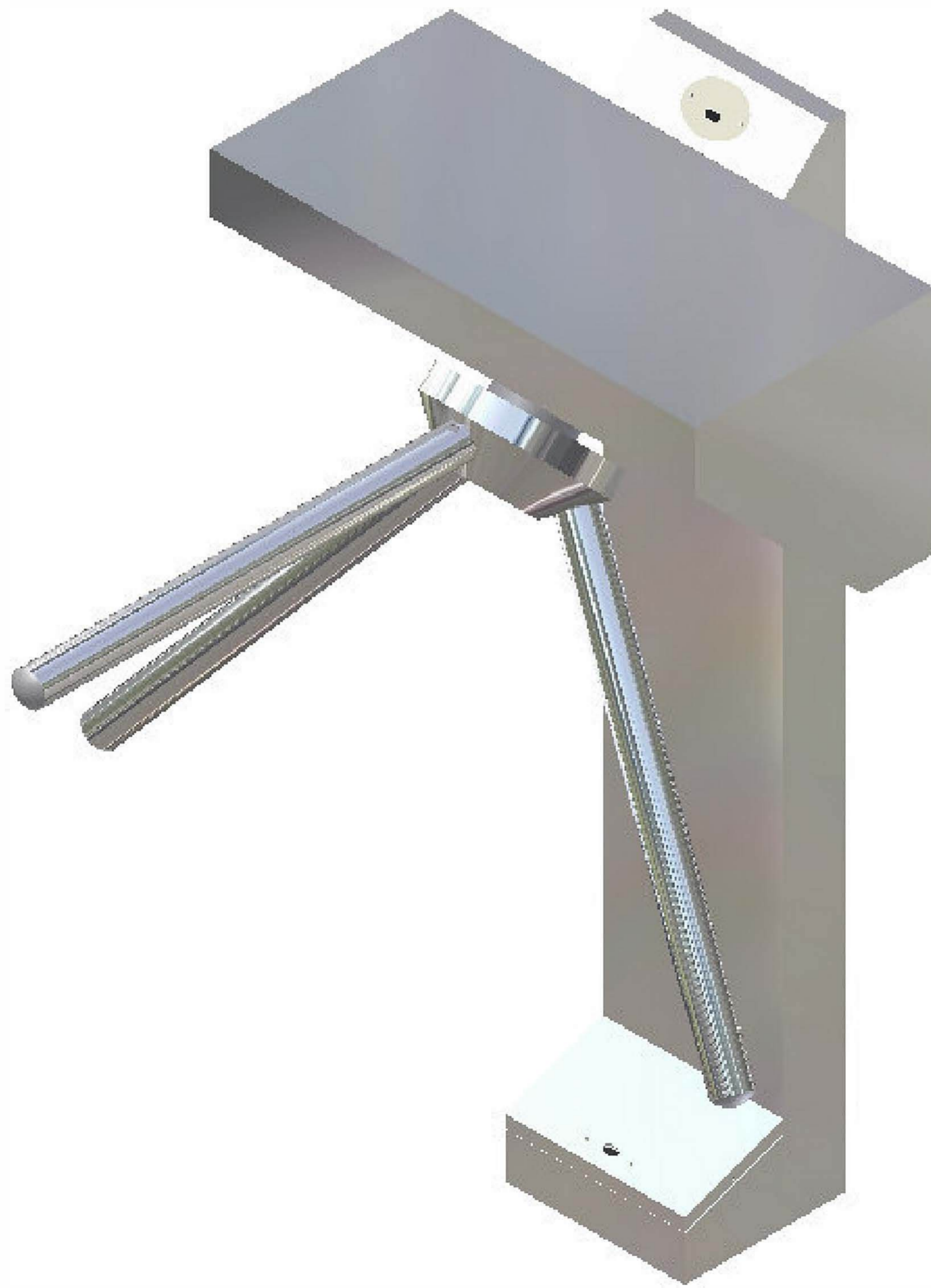




SPEEDY STREET
SOLUTIONS LTD.



TRI-FLO SENTRY

DO NOT SCALE

THE CONTENTS OF THIS DRAWING ARE CONFIDENTIAL

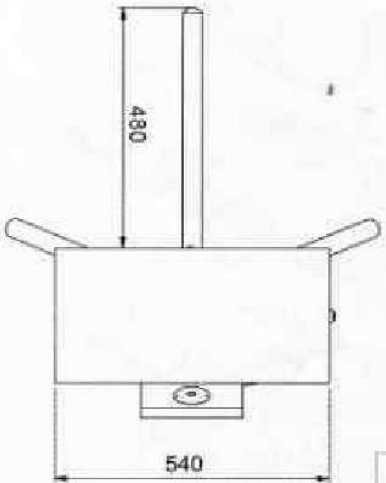
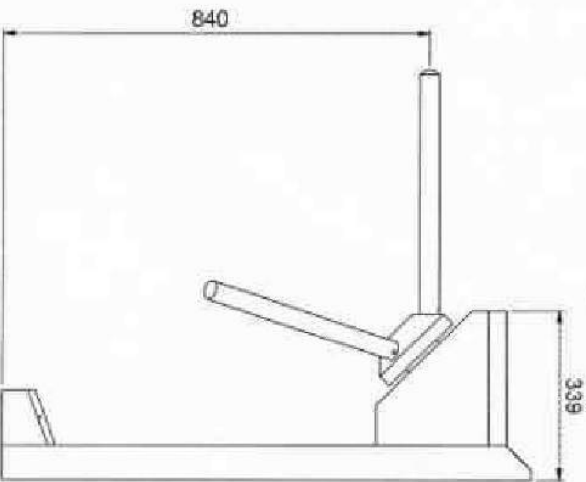
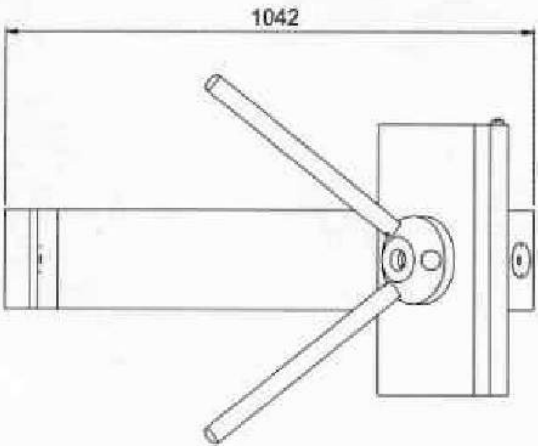
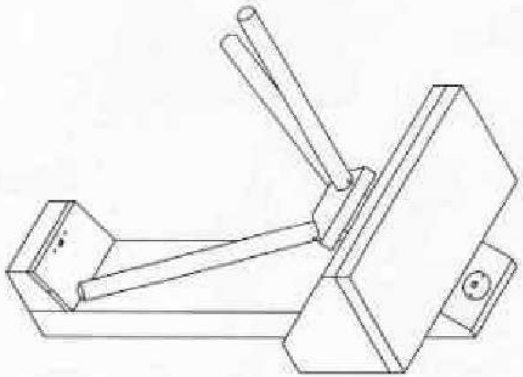
REMOVE ALL SHARP EDGES

A3



3rd ANGLE PROJECTION

ISSUE
A123104103



DRAWING PLOTTED N.T.S.

USED ON: XXXXXXX

TRIPLO SENTRY
 SECURITY SYSTEMS
 10000 W. 100th Ave.
 Golden, CO 80401
 (303) 440-1100

MATERIAL
 FINISH

TOLEANCES UNLESS OTHERWISE STATED
 0 = ± 0.5
 0.0 = ± 0.1
 0.00 = ± 0.01

TITLE
 TRI-FLO SENTRY

DRAWING NUMBER
 08040

CHECKED
 APPROVED

ISSUE	A								
-------	---	--	--	--	--	--	--	--	--

DRAWN
 XXX/Inventor

DRAWN SCALE
 1:1

DO NOT SCALE

THE CONTENTS OF THIS DRAWING ARE CONFIDENTIAL

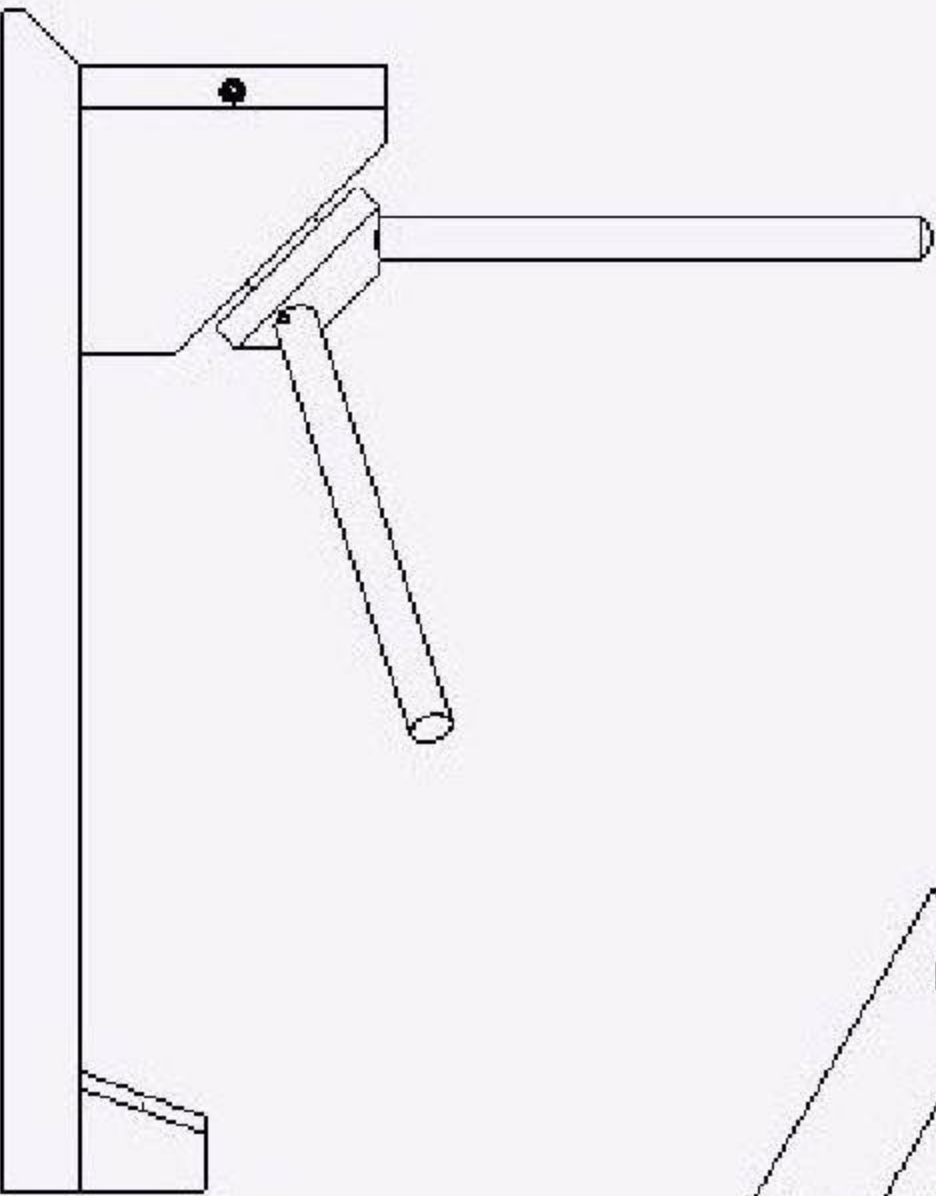
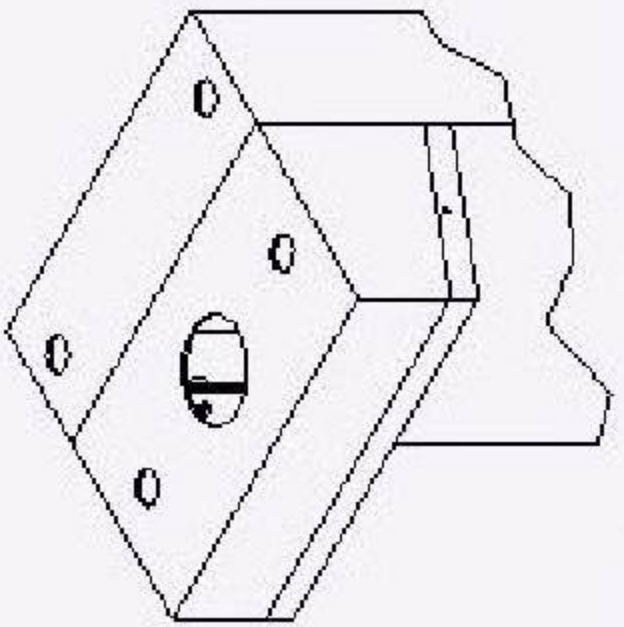
REMARK: A1 : SHARP EDGES

A3

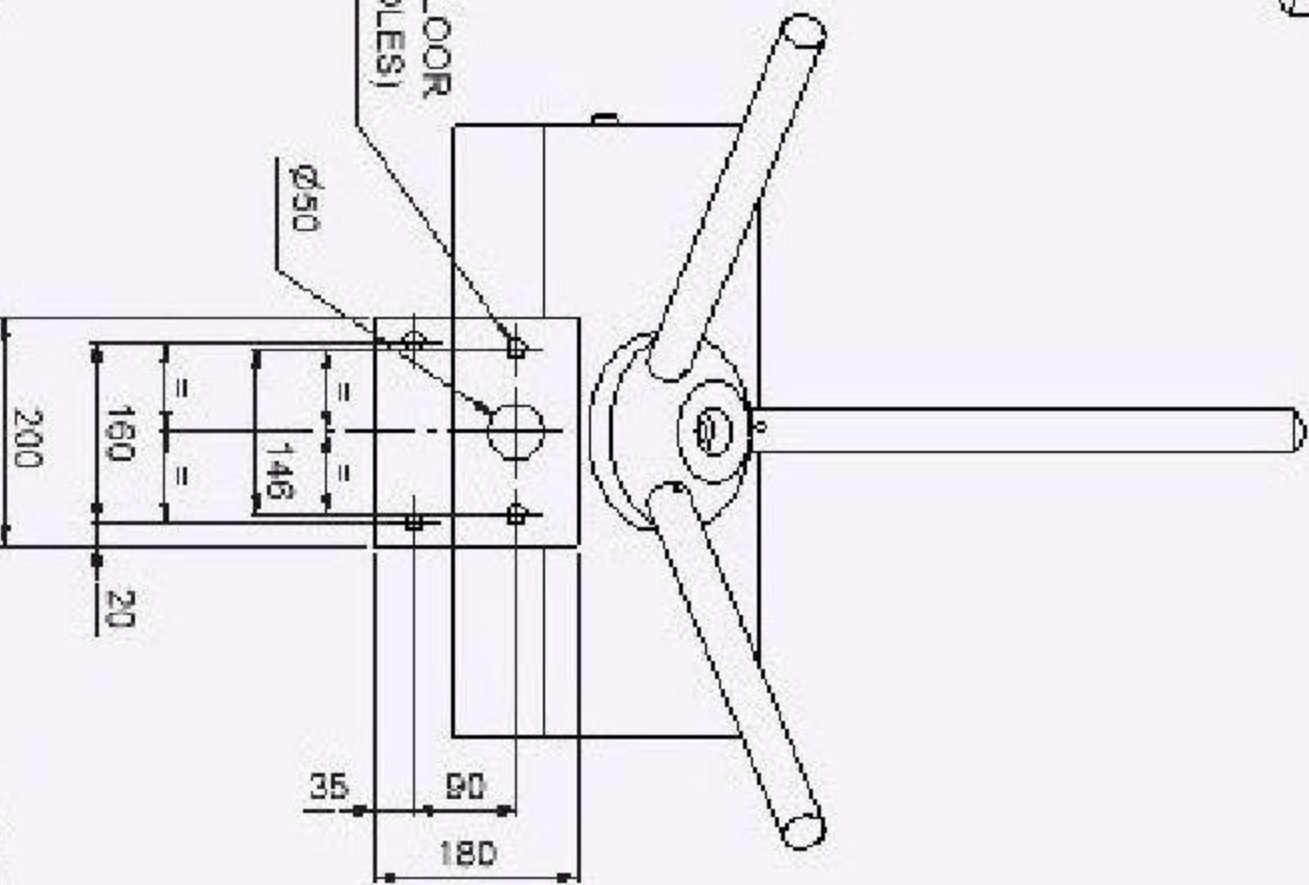


3RD ANGLE PROJECTION

ISSUE
A11508103



4 x $\phi 17$ (FLOOR
FIXING HOLES)



© 2008 LAMINATED SECURITY SOLUTIONS CORPORATION, ALL RIGHTS RESERVED

DRAWING PLOTTED R. T.S.

USED ON: XXXXXX

SECURITY SOLUTIONS
CORPORATION
LAMINATED SECURITY SOLUTIONS
CORPORATION
CORPORATE DIVISION

ONE HOUR
EMERGENCY
SERVICE
AVAILABLE
24 HOURS
TEL: 800.555.5555
FAX: 214.297.3000

MATERIAL	TOLERANCES UNLESS OTHERWISE STATED
FINISH	2 = ± 0.5 0.3 = ± 0.1 0.00 = ± 0.01

TITLE	DRAWING NUMBER
TRIFLO SENTRY FIXING DETAILS	08300

ISSUE	CHECKED
A	AKM/Inventor

APPROVED

DRAWN SCALE

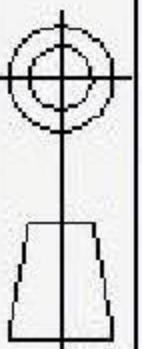
AKM/Inventor

DO NOT SCALE

THE CONTENTS OF THIS DRAWING ARE CONFIDENTIAL

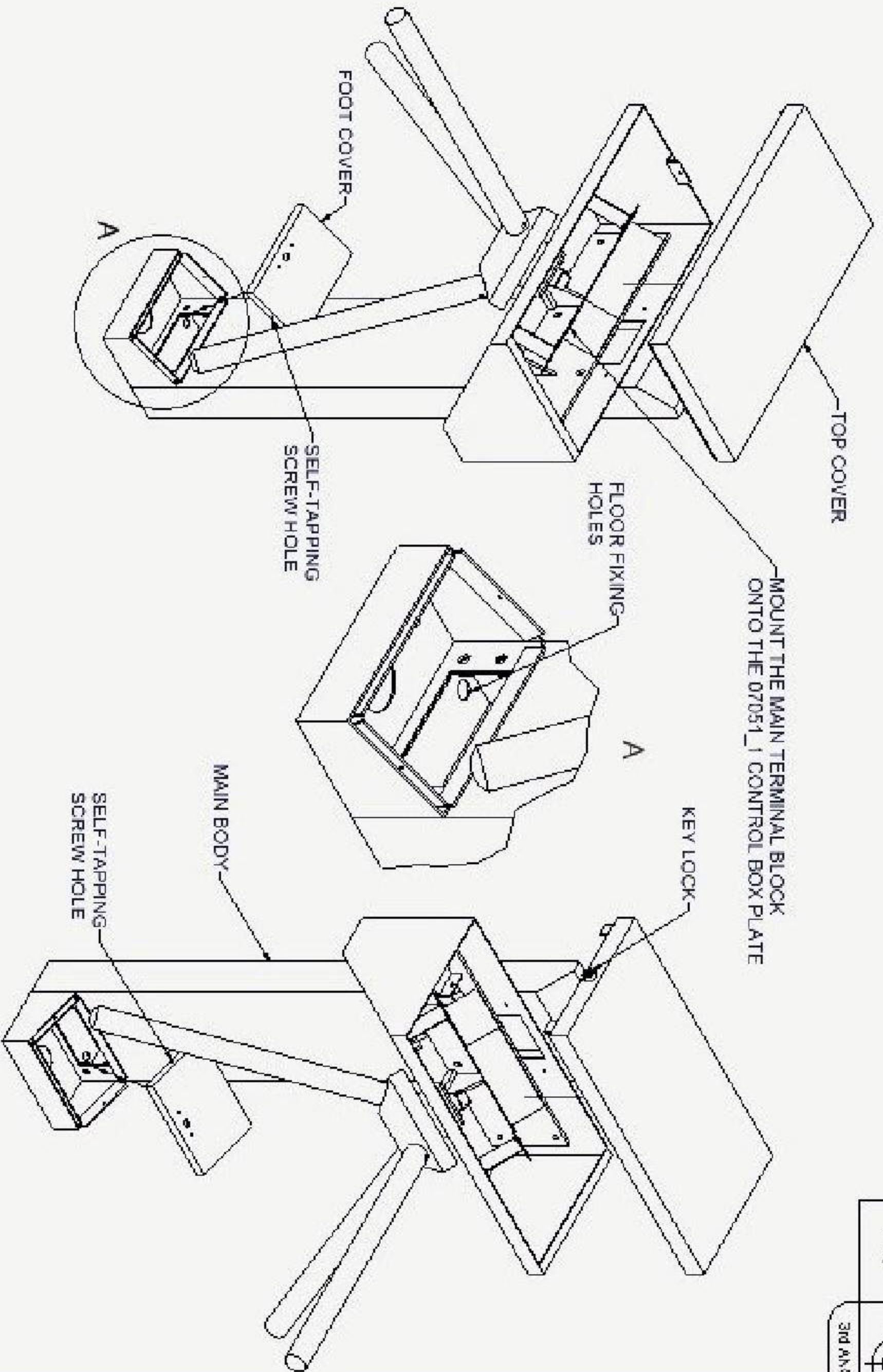
REMOVE ALL SHARP EDGES

A3



3RD ANGLE PROJECTION

ISSUE
A1M5-08103



© 1994 TriFlo Sentry, a Division of General Dynamics Corporation

DRAWING PLOTTED AT 1:1

USED ON: XXXXXXX

TRIFLO SENTRY
RETAIL SYSTEMS
 CUSTOMER SERVICE &
 CASUALTY DEPARTMENT

ONE WOOD
 2000 WOOD
 4000 WOOD
 40700
 TEL: 0153 5500
 FAX: 0153 5500

MATERIAL	FINISH

TOLERANCES UNLESS OTHERWISE STATED
3 ± 0.05
2.0 ± 0.1
2.00 ± 0.01

TITLE	TRIFLO SENTRY GENERAL ARRANGEMENT
-------	--------------------------------------

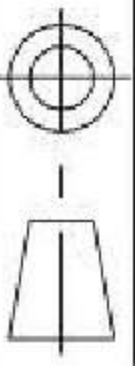
DRAWING NUMBER	08301
ISSUE	A

CHECKED	APPROVED
AKW/inventor	

THE CONTENTS OF THIS DRAWING ARE CONFIDENTIAL

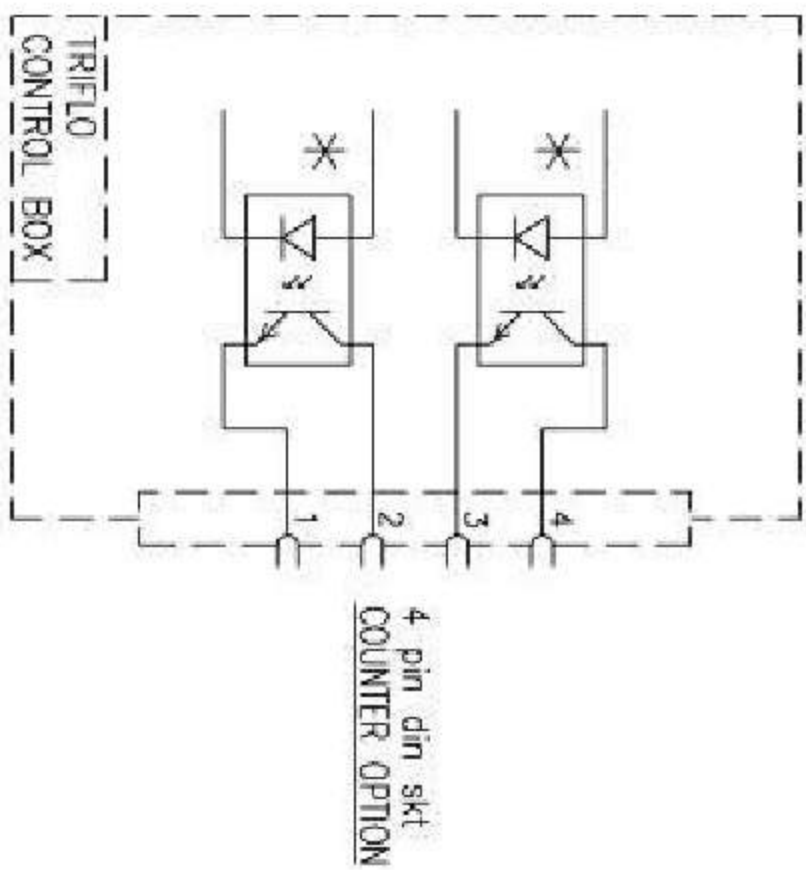
REMOVE ALL SHARP EDGES

A4

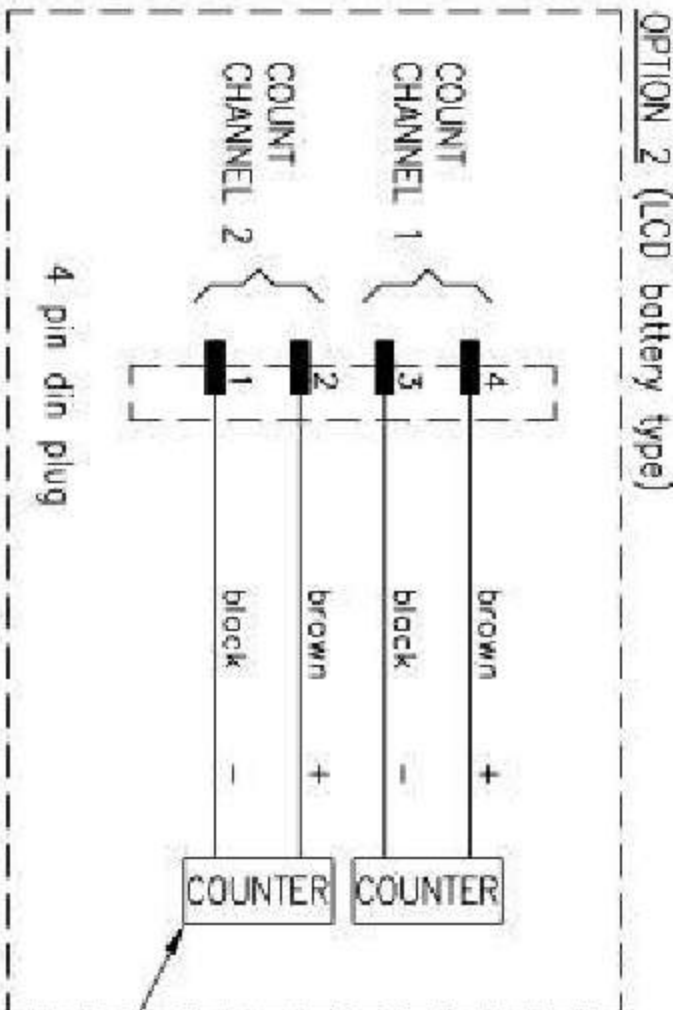
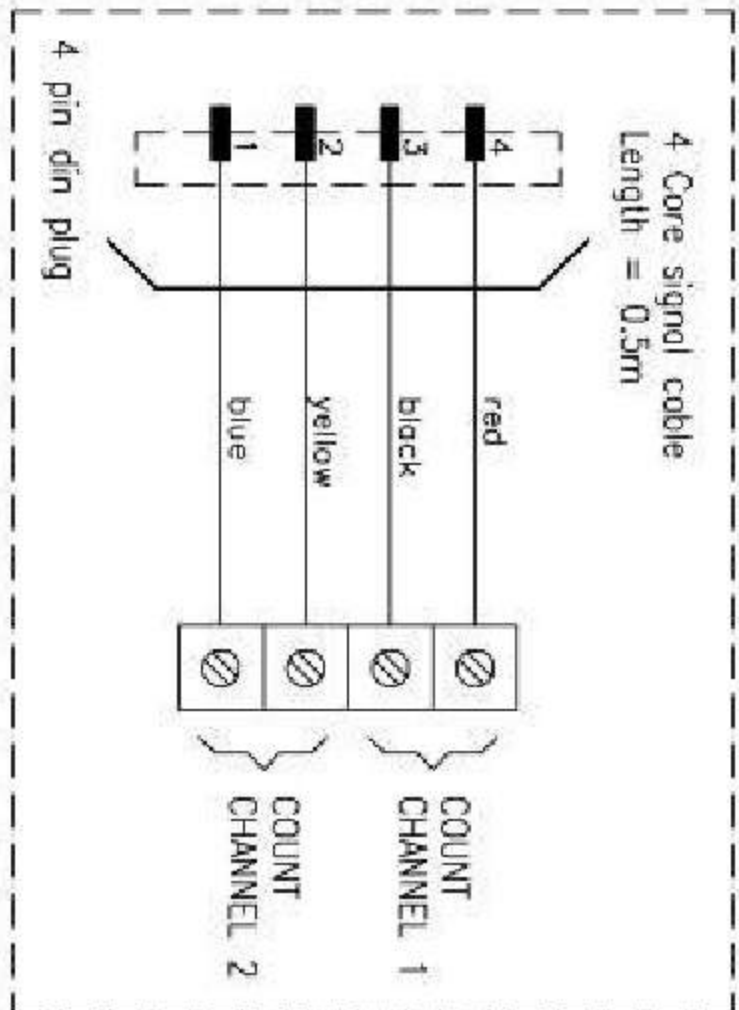


3rd ANGLE PROJECTION

ISSUE
 A) 23 Jan 02
 B) 02.01.07
 C/N 1746



* OPTO COUPLED OUTPUTS
 SPECIFICATION :
 Imax = 50ma
 VCEO = 55v
 VECO = 7v



RS 516-8381
 (WAS RS 243-566)

E:\GUIDANCE DRAWINGS\WORKS\Schematic\Triflo\07705 Iss B.dwg

DRAWING PLOTTED N.T.S.

USED ON: 07167

DRAWN SCALE 1:1



CAR HOUSE
 SANDHURST DRIVE
 TRUROCK
 WILTON KENNES
 W17 8BA
 TEL: 01908 366688
 FAX: 01908 368811
 © 1995

MATERIAL	N/A
FINISH	N/A

TOLERANCES UNLESS OTHERWISE STATED	
0	= ±0.5
0.0	= ±0.1
0.00	= ±0.01

TITLE	COUNTER OPTION TRIFLO (SAPPHIRE BOX)
-------	---

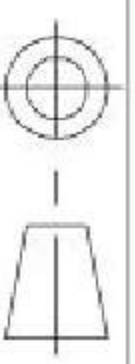
DRAWING NUMBER	07705
ISSUE	A/B

CHECKED	NC/ACAD
APPROVED	

DO NOT SCALE

REMOVE ALL SHARP EDGES

A4

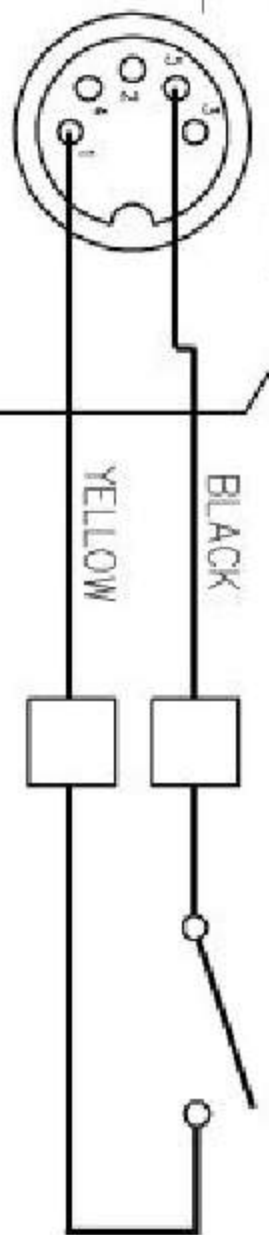


3rd ANGLE PROJECTION

CHANNEL 1

5 PIN DIN PLUG CONNECTIONS
(WIRING SIDE SHOWN)

(Labelled standard trigger-
socket on electronic-
control box)

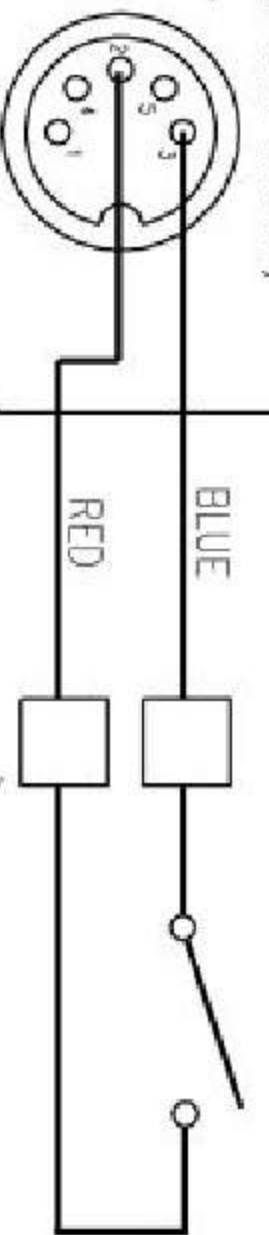


MOMENTARY PUSH SWITCH } OR ANY N/O/OPEN
VOLT FREE CONTACT }
{ MIN PULSE LENGTH 100MS)

CHANNEL 2

5 PIN DIN PLUG CONNECTIONS
(WIRING SIDE SHOWN)

(Labelled standard trigger
socket on electronic
control box)



MOMENTARY PUSH SWITCH } OR ANY N/O/OPEN
VOLT FREE CONTACT }
{ MIN PULSE LENGTH 100MS)

4 CORE CABLE }
8 WAY TERMINAL BLOCK LOCATED
AT END OF DIN PLUG CABLE
(MOUNTED OPPOSITE END TO MAINS IN)

PIN	COLOUR	DESCRIPTION
PIN 1	YELLOW	R/H I/P (CH1)
PIN 2	RED	L/H I/P (CH2)
PIN 3	BLUE	0 Vdc
PIN 4	PIN 4	0 Vdc
PIN 5	BLACK	0 Vdc

NOTE: 5 PIN DIN PLUG CONNECTIONS
TERMINATE IN TERMINAL BLOCK
AS STANDARD

Scale NTS

USED ON: TRI-FLO STD

RAAF/RADAR
RETAIL SYSTEMS
CUSTOMER GUIDANCE &
CHECKOUTS DIVISION
©1995

CNR AVIANCE
SMBROOK/NE DRIVE
TILBURN
MILTON KEYNES
MK7 8BA
TEL: 01908 366688
FAX: 01908 368911

MATERIAL	TOLERANCES UNLESS OTHERWISE STATED
FINISH	0 = +0.5 0.0 = +0.1 0.00 = +0.01

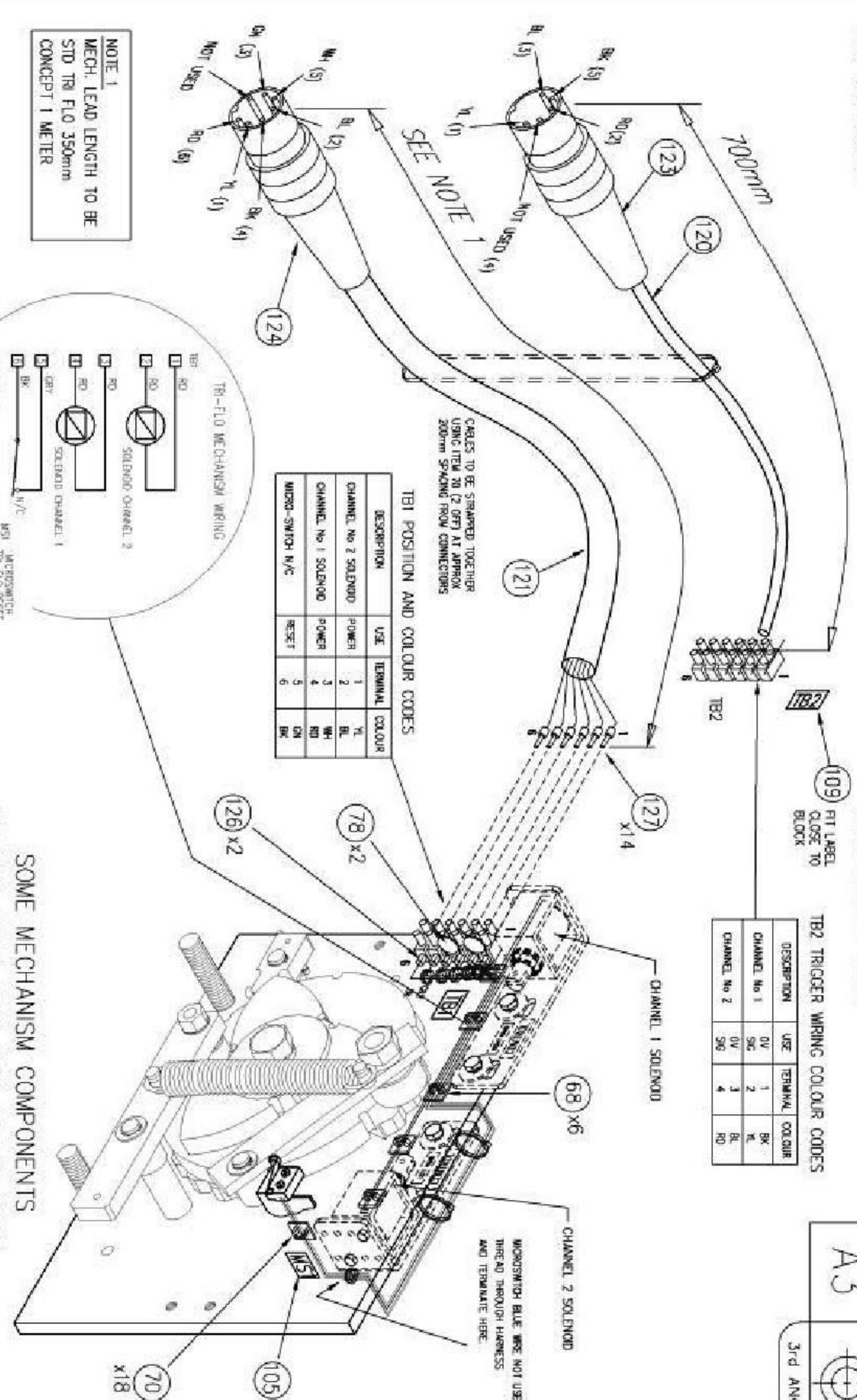
TITLE
TRI-FLO DUAL DIRECTION
TRIGGERS PINOUT INF.
ELECTRONIC CONT. BOX ONLY

DRAWING NUMBER	ISSUE
07044	1/1

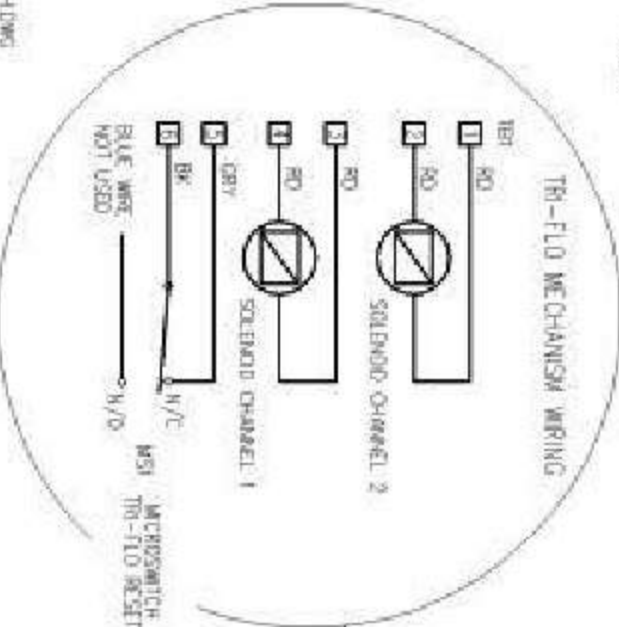
CHECKED	APPROVED
B.A	A.E.C.

DRAWN
A.E.C.

DO NOT SCALE



NOTE 1
MECH. LEAD LENGTH TO BE
STD TRI FLO 350mm
CONCEPT 1 METER



TB1 POSITION AND COLOUR CODES

DESCRIPTION	USE	TERMINAL	COLOUR
CHANNEL No 2 SOLENOID	POWER	1	YL
		2	BL
CHANNEL No 1 SOLENOID	POWER	3	WH
		4	RD
		5	CN
MICRO-SWITCH N/C	RESET	6	BN

TB2 TRIGGER WIRING COLOUR CODES

DESCRIPTION	USE	TERMINAL	COLOUR
CHANNEL No 1	UV	1	BN
	96	2	YL
CHANNEL No 2	UV	3	BL
	96	4	RD

© VANDORCE DRAWINGS WORKS DATE 15/11/2010 05:18:14 DWG

RAAFORD
RETAIL SYSTEMS
CUSTOMER GUIDANCE &
CHECKOUTS DIVISION
© 1996

MATERIAL

FINISH	TOLERANCES UNLESS OTHERWISE STATED
	0 = ±0.5
	0.0 = ±0.1
	0.00 = ±0.01

TITLE
TRI-FLO STANDARD BI-DIRECTIONAL MECHANISM

DRAWING NUMBER
06161
SHT 2 OF 2

ISSUE

--	--	--	--	--	--	--	--	--	--

CHECKED
DRAWN
TB/DBE/ACAD

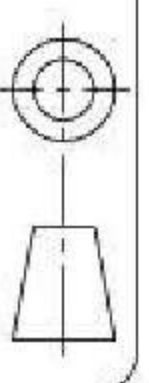
DRAWING PLOTTED N.T.S.

USED ON: IL 06161

SOME MECHANISM COMPONENTS
OMITTED FROM THIS VIEW FOR CLARITY

DRAWN SCALE 1:1

A3

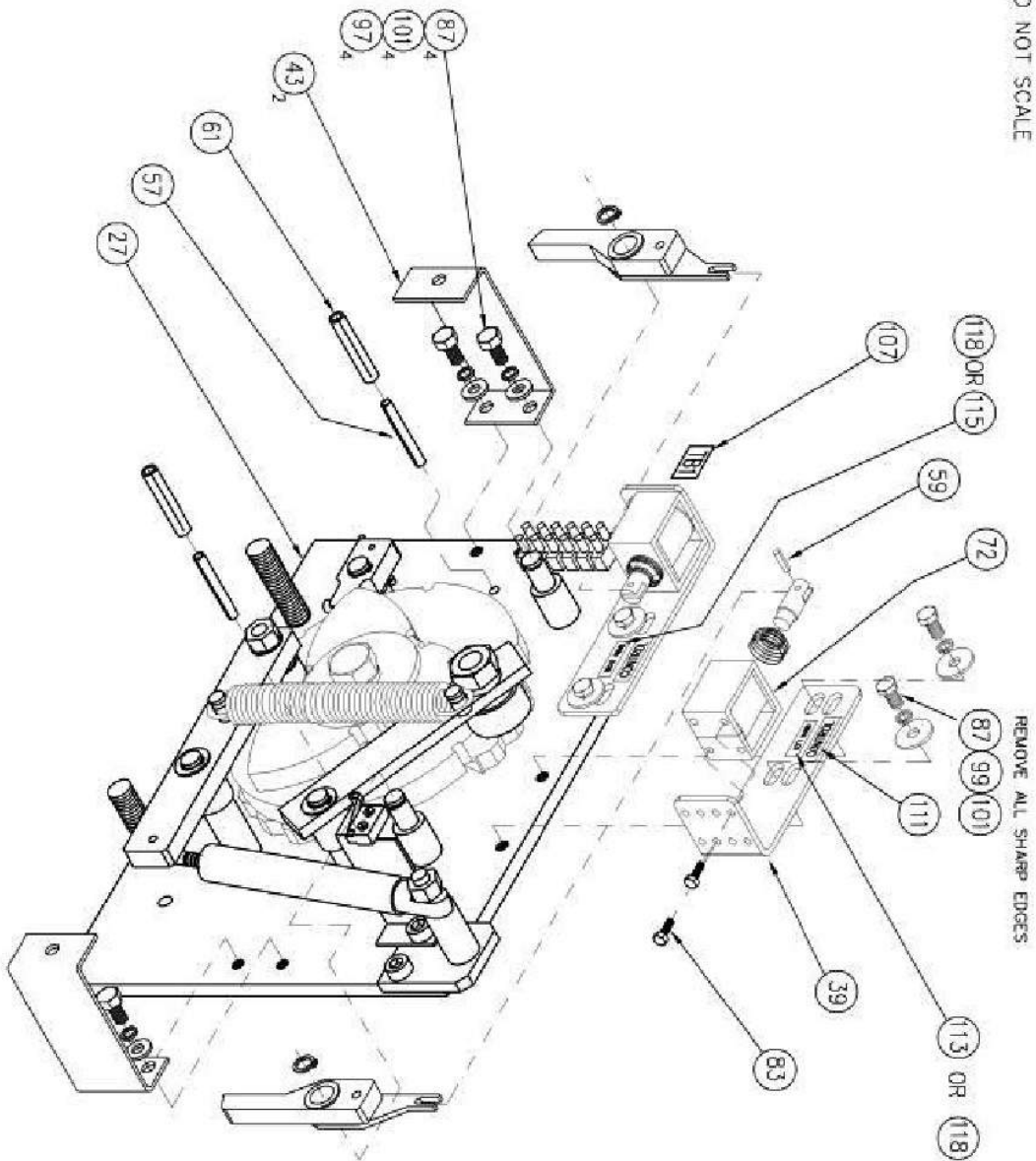


3rd ANGLE PROJECTION

ISSUE

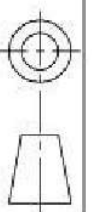
E) 18/03/02	CN 1442
F) 01/05/02	CN 1445
G) 04/07/02	CN 1456
H) 25/02/03	CN 1480
J) 01/06/06	CN 1695
K) 15/06/06	CN 1670

DO NOT SCALE



SEE SHEET 2 FOR
WIRING DETAILS.

A3



3rd ANGLE PROJECTION

ISSUE

E)	18/03/02	CN 1442
F)	01/05/02	CN 1445
G)	04/07/02	CN 1456
H)	25/02/03	CN 1480
J)	01/06/06	CN 1695
K)	15/06/06	CN 1670

© 1996 RALPHSON DRAWINGS, AMBES, CA, TEL: 714/938-1000

RALPHSON
/ RETAIL SYSTEMS
CUSTOMER GUIDANCE &
CHECKOUTS DIVISION © 1996

OUR HOUSE
SHORELINE DRIVE
THERBORO
MILWAUKEE
WI 53194
TEL: 414/938-3666
FAX: 414/938-3687

MATERIAL	TOLERANCES UNLESS OTHERWISE STATED
FINISH	0. = ±0.5 0.0 = ±0.1 0.00 = ±0.01

TITLE	TRI-FLO STANDARD BI-DIRECTIONAL MECHANISM
-------	--

DRAWING NUMBER	06161
ISSUE	SHT 1 OF 2

CHECKED	DBE/ACAD
APPROVED	

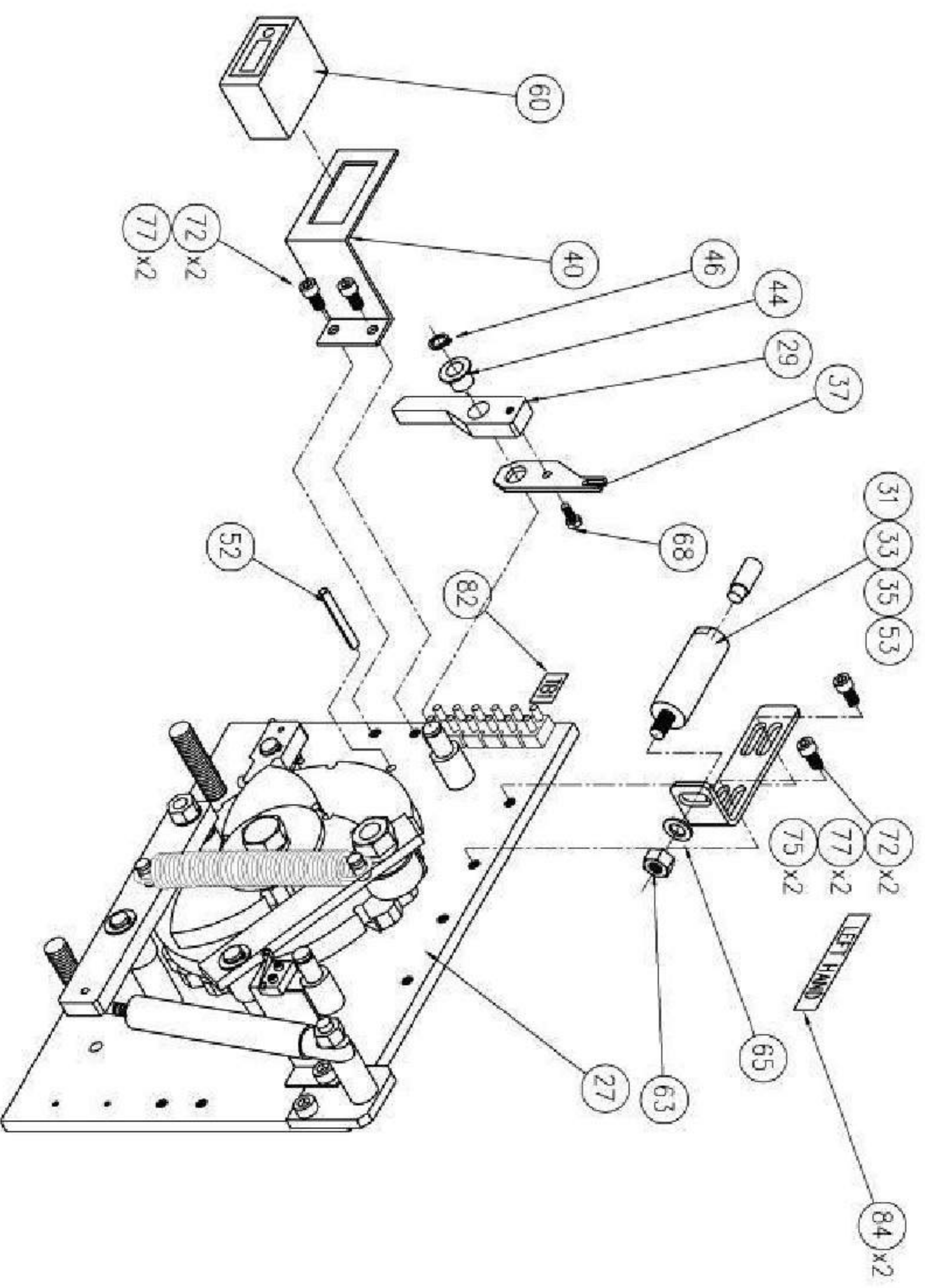
DRAWING PLOTTED N.I.S.

USED ON: IL 06161

DRAWN SCALE 1:1

DO NOT SCALE

REMOVE ALL SHARP EDGES



DRAWING PLOTTED N.T.S.

G:\AUPDANCE_COPRINTING\WORKS\GATES\BRIEFO\06159-01.DWG

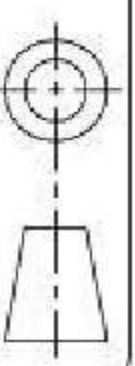
MATERIAL	TOLERANCES UNLESS OTHERWISE STATED
FINISH	0 = ±0.5 0.0 = ±0.1 0.00 = ±0.01

TITLE	TRI-FLO STANDARD MECHANICAL L/H MECHANISM
-------	---

DRAWING NUMBER	06159/01
ISSUE	E

CHECKED	APPROVED
---------	----------

A3



ISSUE E)14/10/99

USED ON: IL 06159

DRAWN DBE/ACAD

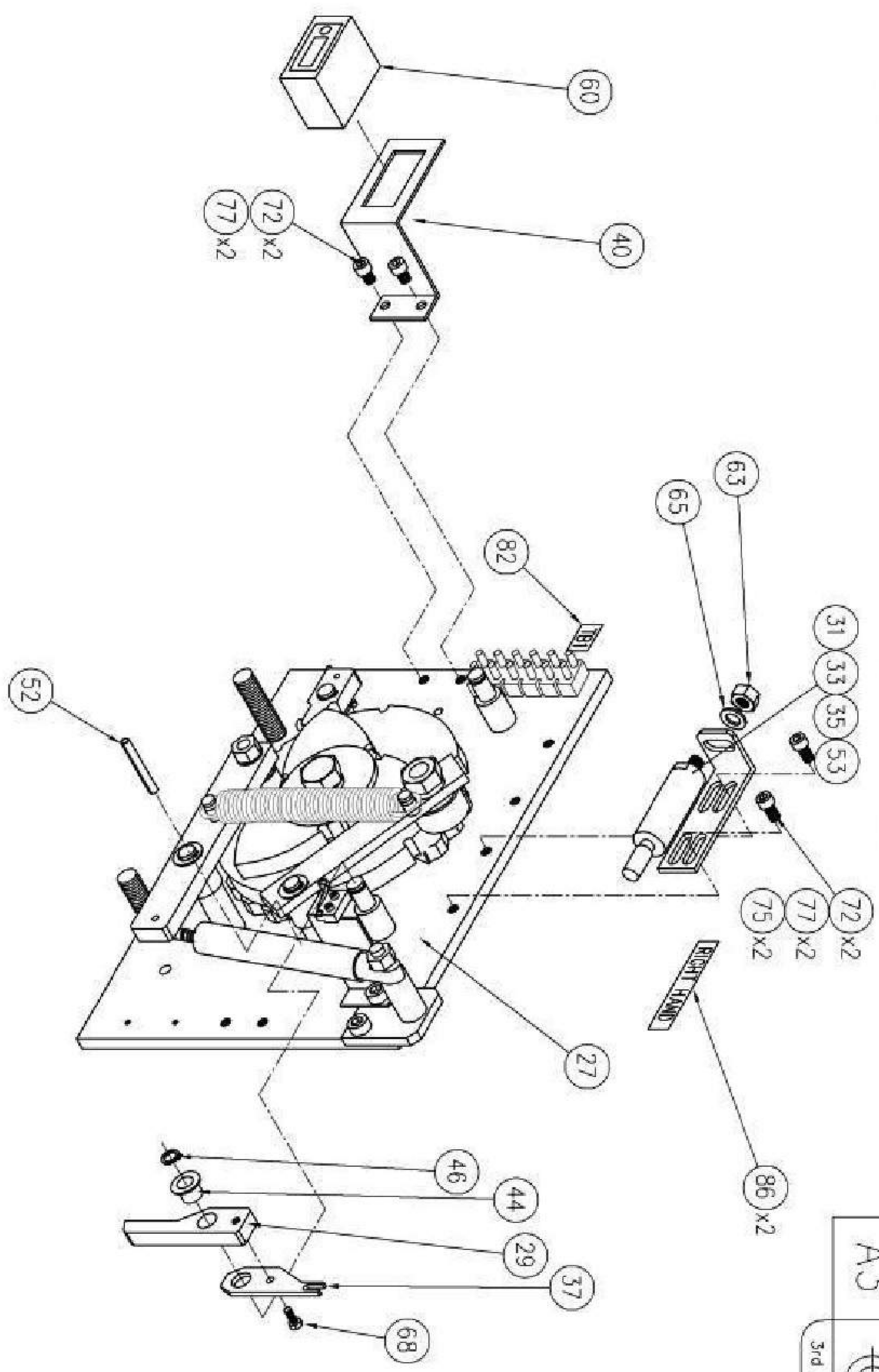
CHECKED

APPROVED

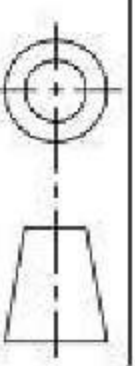
DRAWN SCALE 1:1

DO NOT SCALE

REMOVE ALL SHARP EDGES



A3



3rd ANGLE PROJECTION

ISSUE
E)14/10/99

c:\vaughan\c:\pvaughan\work\pvaughan\triflo\06159-02.dwg

DRAWING PLOTTED N.T.S.

USED ON: IL 06159

MATERIAL		TOLERANCES UNLESS OTHERWISE STATED		TITLE		DRAWING NUMBER		CHECKED	
FINISH		0 = ±0.5 0.0 = ±0.1 0.00 = ±0.01		TRI-FLO STANDARD MECHANICAL R/H MECHANISMS		06159/02		DBE/ACAD	
						ISSUE		APPROVED	
						E			

DRAWN SCALE 1:1

DRAWN
DBE/ACAD

CHECKED

APPROVED