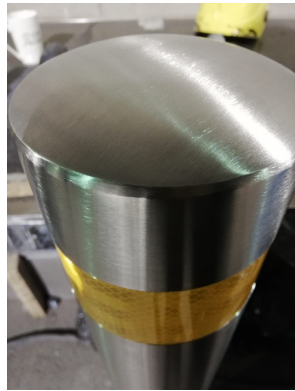


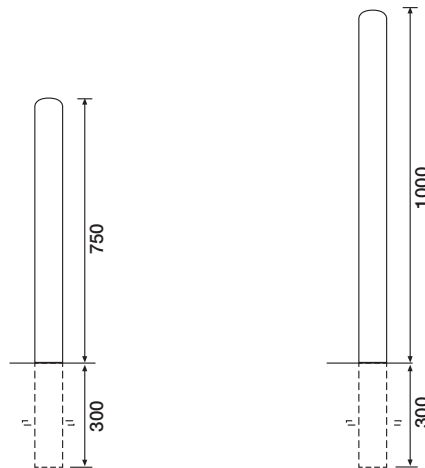
Stainless Steel Bollard

Semi Domed Top



Features

- Semi domed top
- 2mm gauge
- Grade 304 stainless steel
- 240 grit matt satin polished



Specification Sheet

Stainless Steel Bollard

Semi Domed Top

750mm HIGH ABOVE GROUND WITH 300mm ROOT

	DIAMETER	GAUGE	OVERALL HEIGHT
	76mm dia.	2mm	1050mm
	89mm dia.	2mm	1050mm
	101mm dia.	2mm	1050mm
	114mm dia.	2mm	1050mm
	129mm dia.	2mm	1050mm
	140mm dia.	2mm	1050mm
	154mm dia.	2mm	1050mm
	204mm dia.	2mm	1050mm

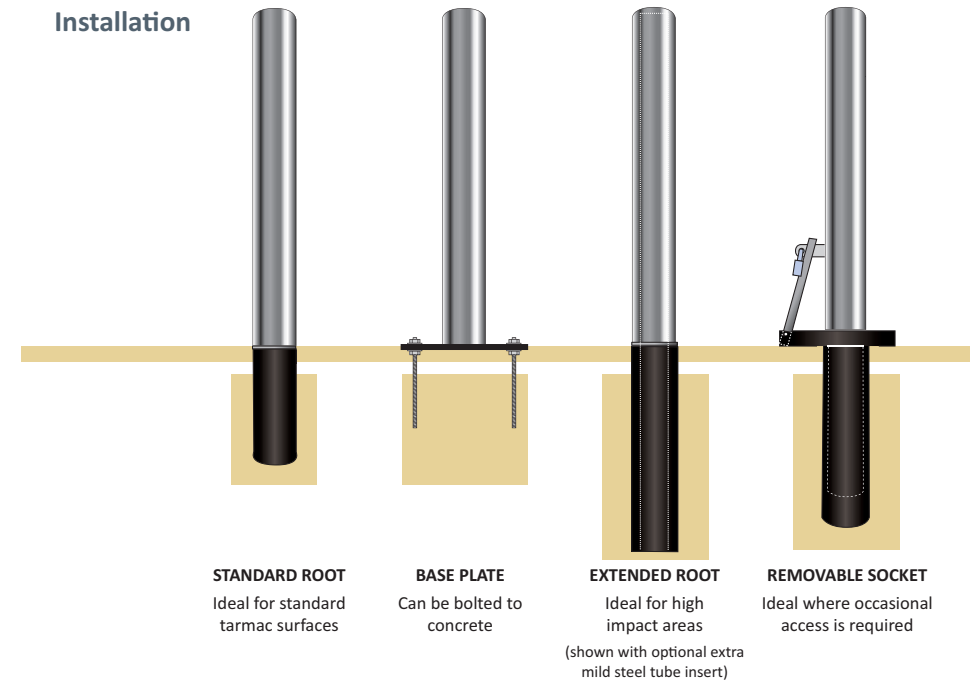


1000mm HIGH ABOVE GROUND WITH 300mm ROOT

	DIAMETER	GAUGE	OVERALL HEIGHT
	76mm dia.	2mm	1300mm
	89mm dia.	2mm	1300mm
	101mm dia.	2mm	1300mm
	114mm dia.	2mm	1300mm
	129mm dia.	2mm	1300mm
	140mm dia.	2mm	1300mm
	154mm dia.	2mm	1300mm
	204mm dia.	2mm	1300mm



Installation



Options

- Grade 316 or 304 stainless steel
- Base plate fixing
- Removable fixing
- 300mm root
- Steel inserts for additional strength
- Reflective banding
- Custom crests and logos
- Bollard and chain
- Mirror polished finish
- Other polished finishes requiring less maintenance