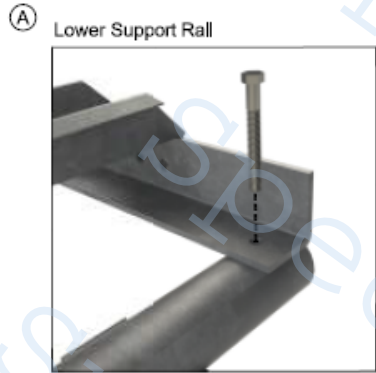
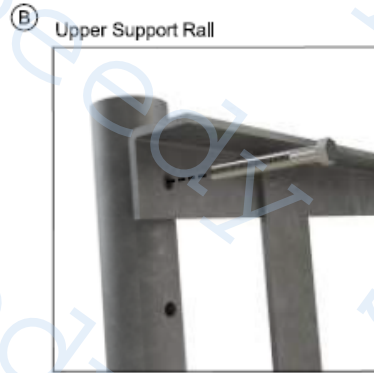


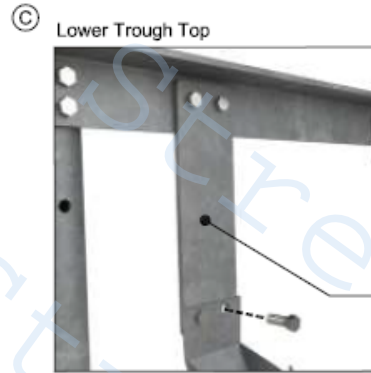
# Verti45 Semi-Vertical Fitting Instructions



Fit 1 no M8 x 65mm fixing bolts

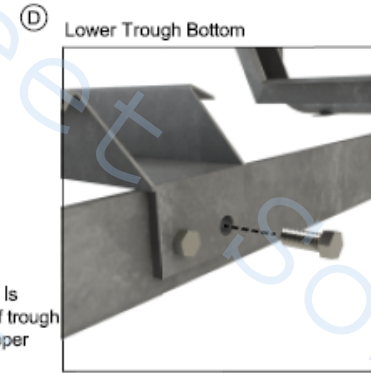


Fit 1 no M8 x 65mm fixing bolts

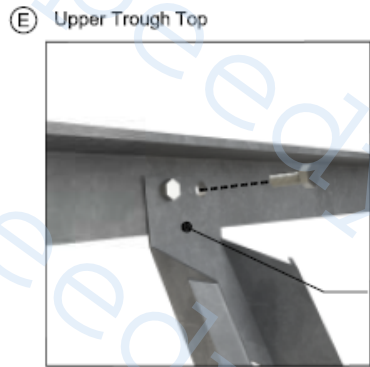


Fit 4 no M8 x 20mm fixing bolt

Note that plate is fixed in front of trough bracket and upper support rail

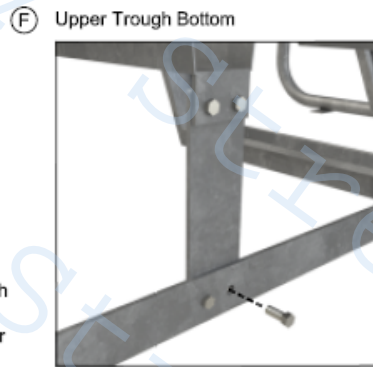


Fit 2 no M8 x 20mm fixing bolt



Fit 2 no M8 x 20mm fixing bolt

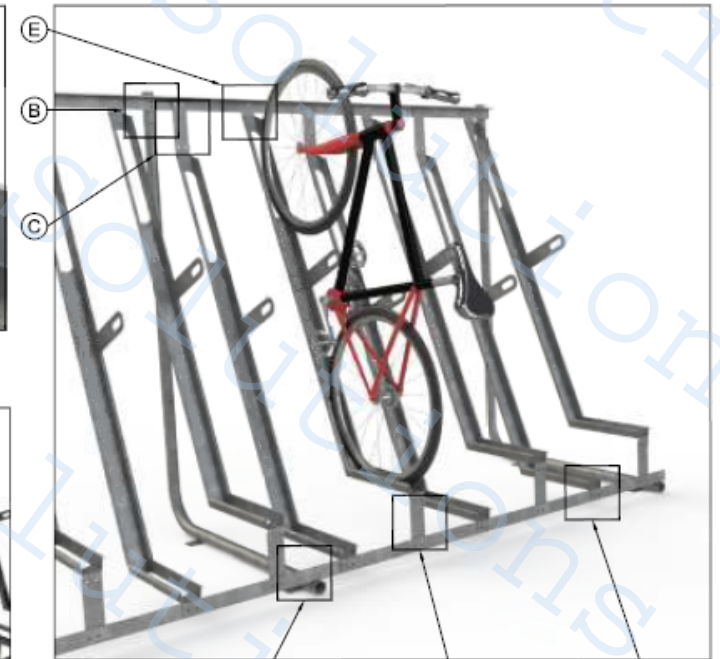
Note that trough bracket is fixed in front of upper support rail



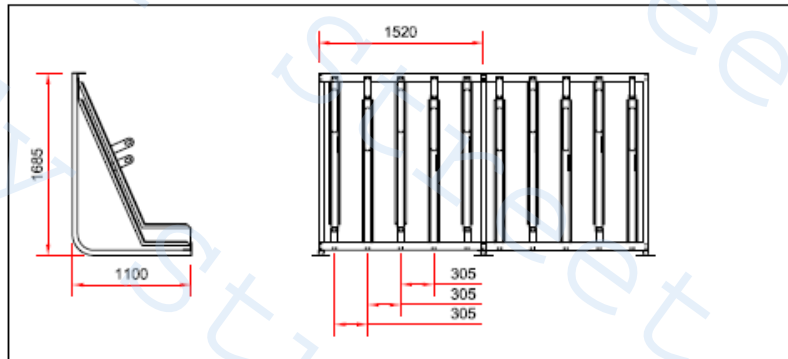
Fit 4 no M8 x 20mm fixing bolt



Fit 1 no M8 x 65mm & 1 no M8 x 20mm fixing bolt



Fully Installed



Use 2 Fixing plates per join (both upper and lower support rails)

- L-Shaped leg support must be included at least every 6 bike positions