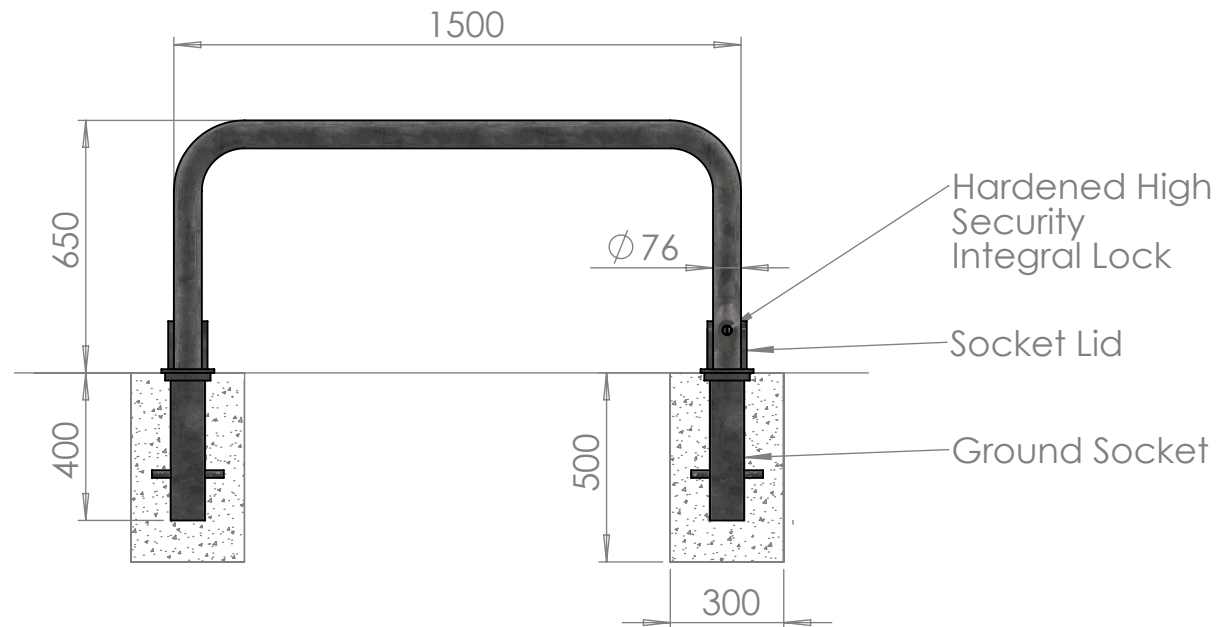


## PRODUCT SPECIFICATION

RRHB/76/1.5/G

- Galvanised to BS EN ISO 1461 (2009)
- Keyed alike or to differ

Option: Powder coating to most RAL/BS Colour.



Drawings not to scale

