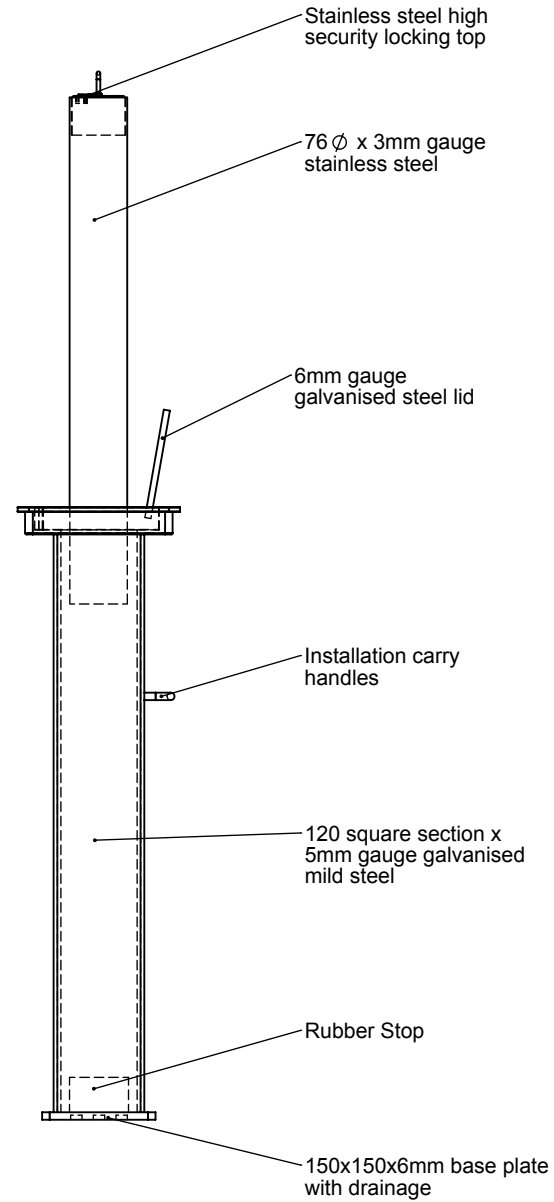
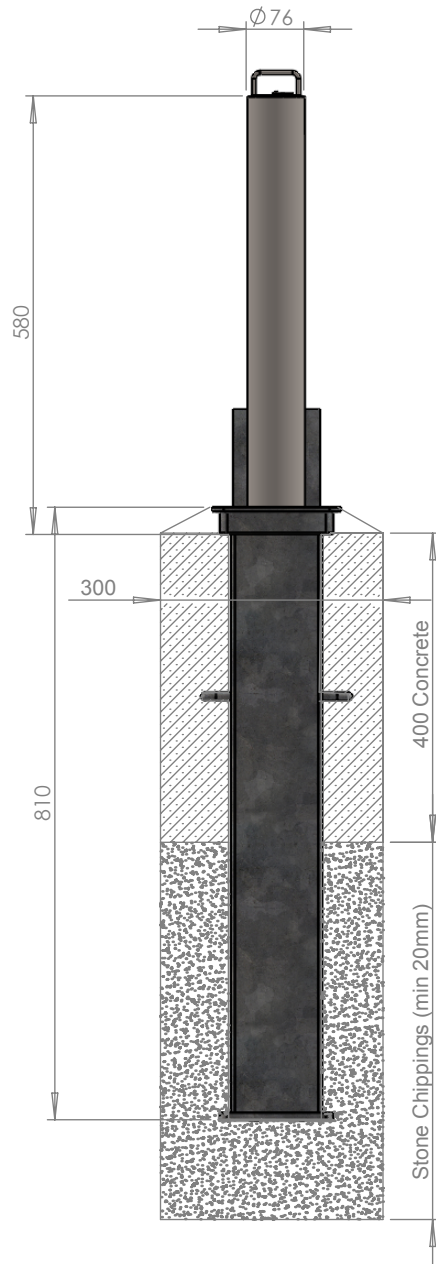


PRODUCT SPECIFICATION

RRB/S4

- 3mm gauge stainless steel
 - Operating weight 5kg - Product weight 18kg
 - Integral high security push button lock
 - Stainless steel locking top
 - Flush 6mm gauge galvanised lid
 - 3.6mm gauge galvanised outer casing
 - Flush 6mm gauge galvanised lid
 - Galvanised to BS EN ISO 1461 (2009)
- Option: Keyed alike or to differ



Drawings not to scale