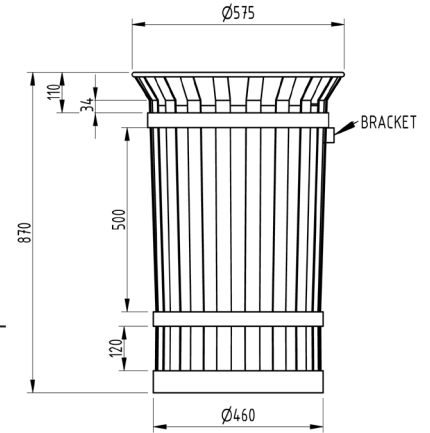


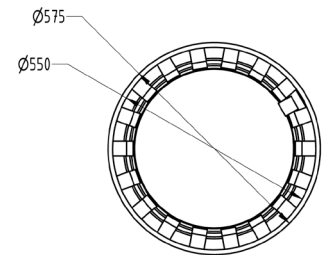
Flared Top Bin Galvanised or Stainless



The Flared Top Bin is ideal for use in high traffic public areas such as high streets and parks. With a simple and stylish flared top design, this bin is designed to complement the Rockingham range of street furniture.

Supplied with a lockable steel liner as standard, the base of the bin can be bolted onto the floor for added security.

Manufactured from galvanised mild steel as standard, the Flared Top Bin is also available in grade 304 Stainless Steel.



<u>Part Number</u>	<u>Description</u>	<u>Weight (kg)</u>
138 118 031	Galvanised	38kg
138 118 039	Stainless Steel Grade 304	38kg

Product details

- 870mm x 575mm (height x diameter)
- Complete with lockable steel liner
- 89L Capacity
- Price excludes fixing down bolts

Installation & use

Bases are pre-drilled ready for bolting down onto a suitable concrete foundation by means of two 12mm anchor bolts. This product is guaranteed for 12 months (if installed and used correctly)