



**Product Name: Eco Cycle Shelter and Rack**

**Product Code:**

**Size: 4550 mm Long x 2040 mm Wide x 2100 mm High**

**Description: 14 Cycle Capacity Shelter Complete with Sheffield toast rack**

**ECO CYCLE SHELTER RANGE**

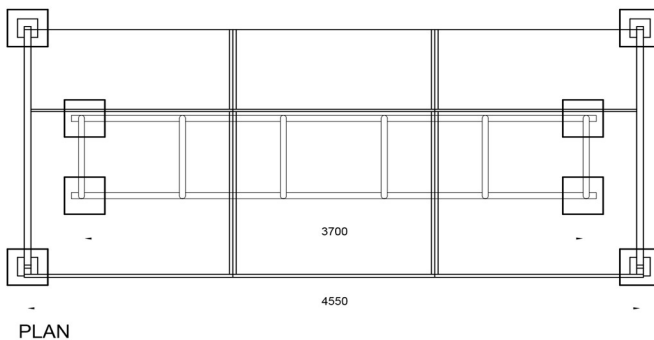


**Side Panel option Kit**

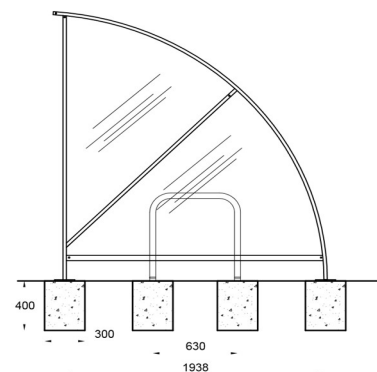
**LEAD TIME STOCK 4 TO 5 DAYS**

Product information: The Cycle Shelters are made with a mild steel frame and are Plate Mounted Bolt down. The Eco Cycle Shelter is very easy to assemble and is delivered flat pack. The shelter is lightweight yet robust and being galvanised will give maximum protection from rust for many years. This is a full size shelter and will take up to 14 adult cycles. The assembly is very straight forward. The shelters are available in Galvanised finish only however if you want a painted shelter, simply assemble the frame and paint it to the desired colour (leave it to dry) and then fit the sheeting. To hand paint a shelter will only take about 45 minutes.

The Cycle Rack is manufactured with 50 mm diameter tube and is also fully galvanised to BS EN ISO 1461:1999. Complete with flanges for bolting directly to suitable ground surface. Easy to fit and supplied as a full section so no assembly other than ground fixing.



PLAN



END ELEVATION

C35 CONCRETE SET ON  
FIRM BED OF SAND OR  
CLAY